

3.1

Logic Devices

Relays

3

General Purpose Plug-In Relays—D5 Series



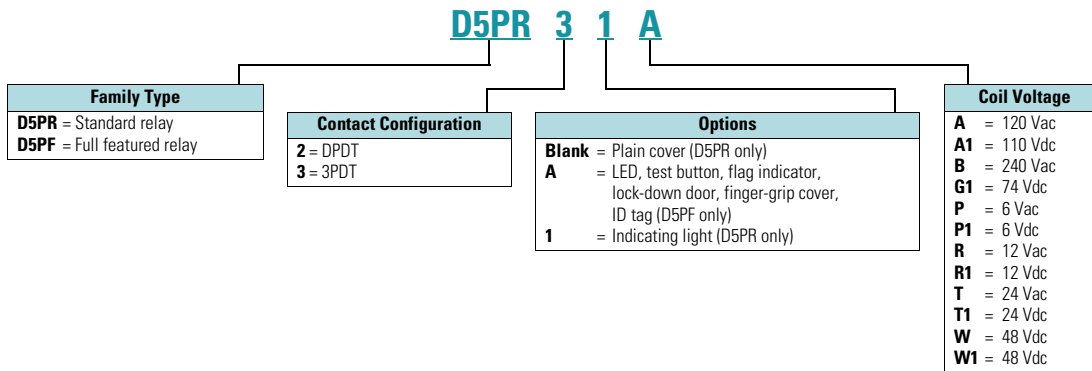
Features

- Industrial rated 300V, 15A relay in two-pole and three-pole configurations
- Compact design can be panel or DIN rail mounted

Catalog Number Selection

General Purpose Plug-In Relays—D5 Series

D5 Series ①



Product Selection

D5 Relay/Socket Quick Reference

Relay Type	Socket	Clip
D5PR2	D5PAL	PQC-1351
D5PF2	D5PA2	PQC-1351
D5PR3	D5PA3L	PQC-1351
D5PF3	D5PA3S	PQC-1351

Note

- ① For deciphering catalog numbers.
Do not use for ordering as not all combinations are readily available.

General Purpose Plug-In Relays—D5

Coil Voltage	Contact Configuration	Coil Resistance (Ohms)	Catalog Number
Full Featured			
120 Vac	DPDT	1,700	D5PF2AA
110/125 Vdc	DPDT	10,000	D5PF2AA1
220/240 Vac	DPDT	7,200	D5PF2AB
12 Vdc	DPDT	120	D5PF2AR1
24 Vac	DPDT	72	D5PF2AT
24 Vdc	DPDT	470	D5PF2AT1
48 Vdc	DPDT	1,800	D5PF2AW1
120 Vac	3PDT	1,700	D5PF3AA
110/125 Vdc	3PDT	10,000	D5PF3AA1
220/240 Vac	3PDT	7,200	D5PF3AB
12 Vdc	3PDT	120	D5PF3AR1
24 Vac	3PDT	72	D5PF3AT
Plain Cover			
120 Vac	DPDT	1,700	D5PR2A
110/125 Vdc	DPDT	10,000	D5PR2A1
220/240 Vac	DPDT	7,200	D5PR2B
74 Vdc	DPDT	4,800	D5PR2G1
6 Vac	DPDT	4.2	D5PR2P

Coil Voltage	Contact Configuration	Coil Resistance (Ohms)	Catalog Number
Plain Cover, continued			
6 Vdc	DPDT	32	D5PR2P1
12 Vac	DPDT	18	D5PR2R
12 Vdc	DPDT	120	D5PR2R1
24 Vac	DPDT	72	D5PR2T
24 Vdc	DPDT	470	D5PR2T1
48 Vac	DPDT	290	D5PR2W
48 Vdc	DPDT	1,800	D5PR2W1
120 Vac	3PDT	1,700	D5PR3A
110/125 Vdc	3PDT	10,000	D5PR3A1
220/240 Vac	3PDT	7200	D5PR3B
74 Vdc	3PDT	4,800	D5PR3G1
6 Vac	3PDT	4.2	D5PR3P
6 Vdc	3PDT	32	D5PR3P1
12 Vac	3PDT	18	D5PR3R
12 Vdc	3PDT	120	D5PR3R1
24 Vac	3PDT	72	D5PR3T
24 Vdc	3PDT	470	D5PR3T1
48 Vdc	3PDT	1,800	D5PR3W

Accessories

D5 Sockets and Accessories

Description	Standard Pack	Catalog Number
Socket	10	D5PAL ①
Socket	10	D5PA2
Socket	10	D5PA3L
Socket	10	D5PA3S
Metal spring clip	10	PQC-1351

Note

① Protection category (finger safe), EN 60529 IP20.